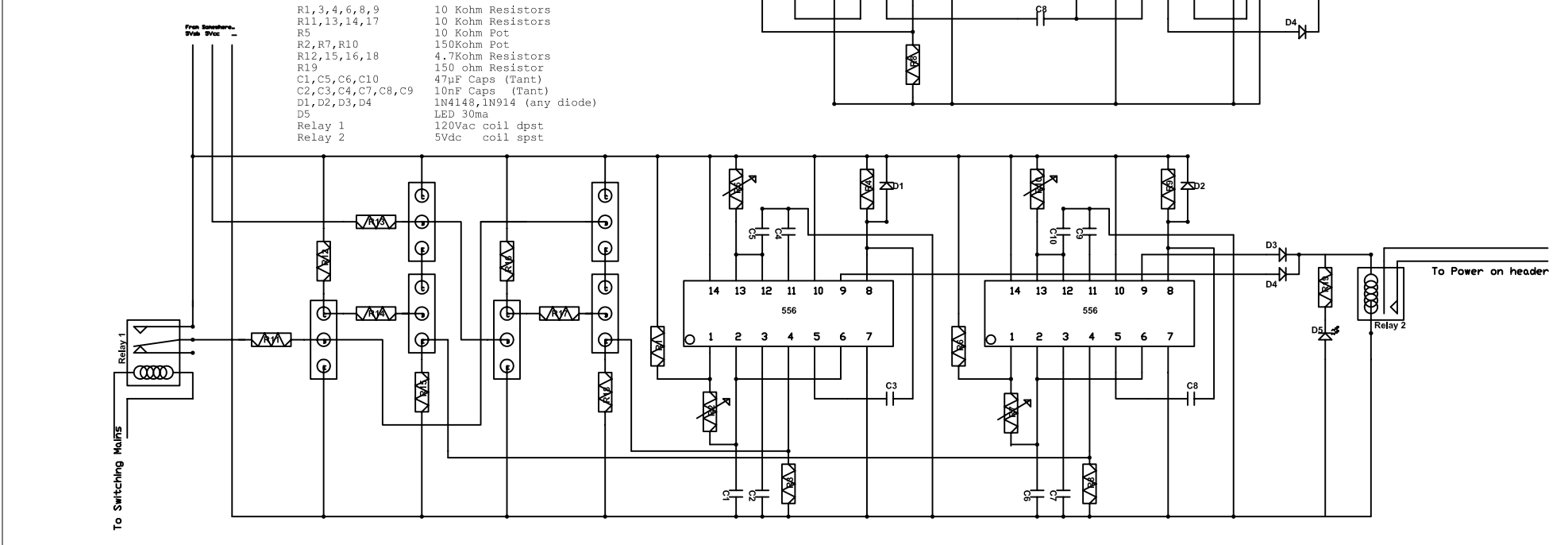


- R1,3,4,6,8,9 10 Kohm Resistors
- R5 10 Kohm Pot
- R2,R7,R10 150Kohm Pot
- R19 150 ohm Resistor
- C1,C5,C6,C10 47µF Caps (Tant)
- C2,C3,C4,C7,C8,C9 10nF Caps (Tant)
- D1,D2,D3,D4 1N4148,1N914 (any diode)
- D5 LED 30ma
- Relay 1 120Vac coil dpst
- Relay 2 5Vdc coil spst



- R1,3,4,6,8,9 10 Kohm Resistors
- R11,13,14,17 10 Kohm Resistors
- R5 10 Kohm Pot
- R2,R7,R10 150Kohm Pot
- R12,15,16,18 4.7Kohm Resistors
- R19 150 ohm Resistor
- C1,C5,C6,C10 47µF Caps (Tant)
- C2,C3,C4,C7,C8,C9 10nF Caps (Tant)
- D1,D2,D3,D4 1N4148,1N914 (any diode)
- D5 LED 30ma
- Relay 1 120Vac coil dpst
- Relay 2 5Vdc coil spst